



SHOWER TRAYS



**JTSOFTSTONE™**  
AQUA CUSHION FLOOR



---

## JTBESPOKE SERVICE

---

JT offers a full Bespoke Service on the JTSOFTSTONE, Aqua Cushion Floor. If you are looking to install a shower floor into an awkward or unusual space, or would like a non-standard size, we have the perfect solution. The Bespoke Service allows you to tailor the size and shape of your JTSOFTSTONE.

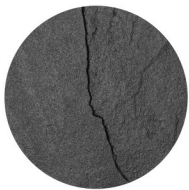
---

### Ordering through our Bespoke Service is simple

To order your bespoke JTSOFTSTONE simply follow these easy steps

---

**1** Choose from one of the following 3 colour options



BLACK



WHITE



CREAM

---

**2** Choose from one of the following 3 size options

- A. 1200 x 900
  - B. 1600 x 800
  - C. 2050 x 1000
- 

**3** Mark on the attached design template the dimensions and bespoke adjustments you require.

---

**4** For your nearest retailer please contact **JT** on 0844 2577253 or visit the **JTSOFTSTONE** product page at [www.just-trays.co.uk](http://www.just-trays.co.uk) to see the full list of displaying outlets.

---

**5** Take your drawings to your nearest retailer who will confirm the pricing and delivery lead-time

---

**6** Once you have finalised your design both you and the retailer sign the agreement and design template.

---

**7** The retailer will then fax or email the drawings and signed documents to their nominated JTSOFTSTONE supplier and place the order for your new shower floor.

---

**8** Once **JT** receives the signed agreement and signed diagrams, work will begin on your product. A CAD drawing will be sent to the retailer confirming the work required. The retailer will sign their agreement. Orders placed for our Bespoke Service are non-cancellable. Therefore, once this agreement is signed and received by **JT** you will be liable for the full cost should you cancel your order.

---



SHOWER TRAYS



JTSOFTSTONE™  
AQUA CUSHION FLOOR



---

## JTBESPOKE SERVICE

---

Please complete and sign this form

Customer Details:

**Name** \_\_\_\_\_

**Address** \_\_\_\_\_  
 \_\_\_\_\_  
 \_\_\_\_\_

**Postcode** \_\_\_\_\_

**Tel No.** \_\_\_\_\_

**Email** \_\_\_\_\_

Retailer Details:

**Name** \_\_\_\_\_

**Address** \_\_\_\_\_  
 \_\_\_\_\_  
 \_\_\_\_\_

**Postcode** \_\_\_\_\_

**Tel No.** \_\_\_\_\_

**Email** \_\_\_\_\_

---

## JTSOFTSTONE Product Required

---

Please refer to the options listed below.  
Please tick to indicate your colour & size choice.

- BLACK**       **WHITE**       **CREAM**
- 1200 x 900     1600 x 800     2050 x 1000

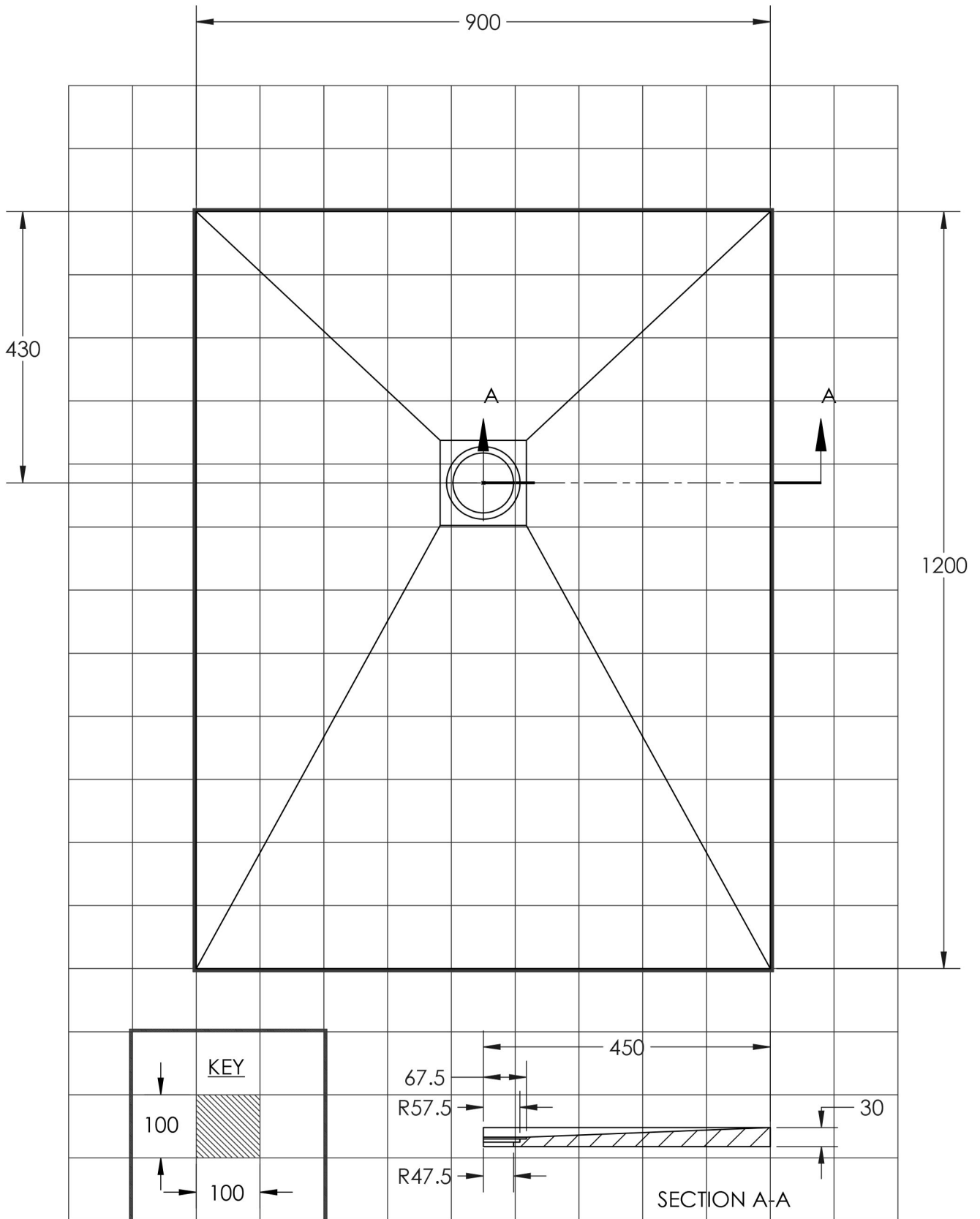
---

Please provide accurate measurements **in millimetres** next to **ALL** marked adjustments /changes required on the drawing which is applicable to your chosen size of JTSOFTSTONE. Indicate clearly on the drawing any features which need to be taken into account i.e. radiators, pipes etc.

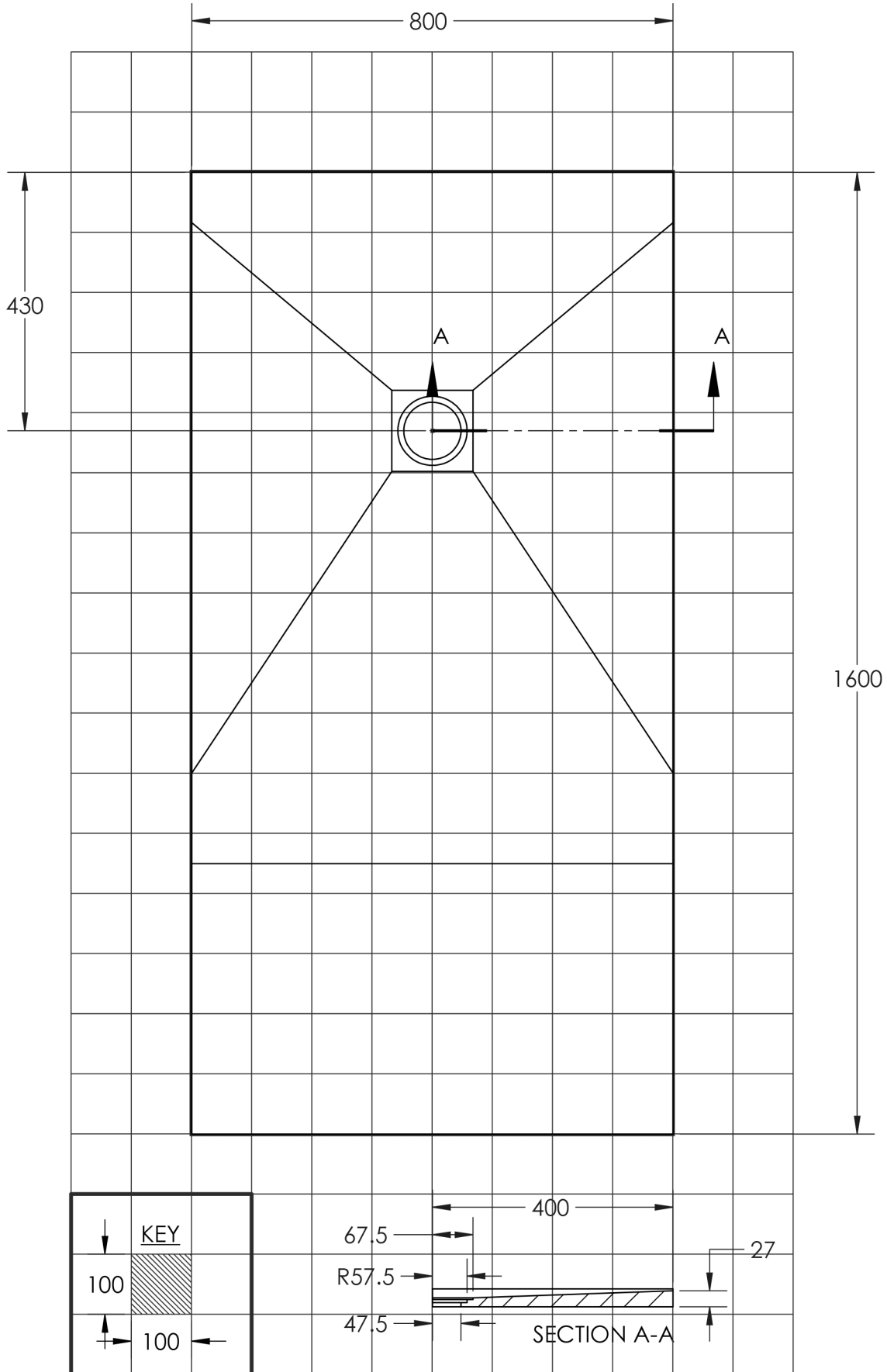
**N.B.** It is advisable to either take a copy of the diagram or repeat your measurements onto the correct drawing so that you retain a copy.

---

Option 1 — 1200 x 900



Option 2 — 1600 x 800

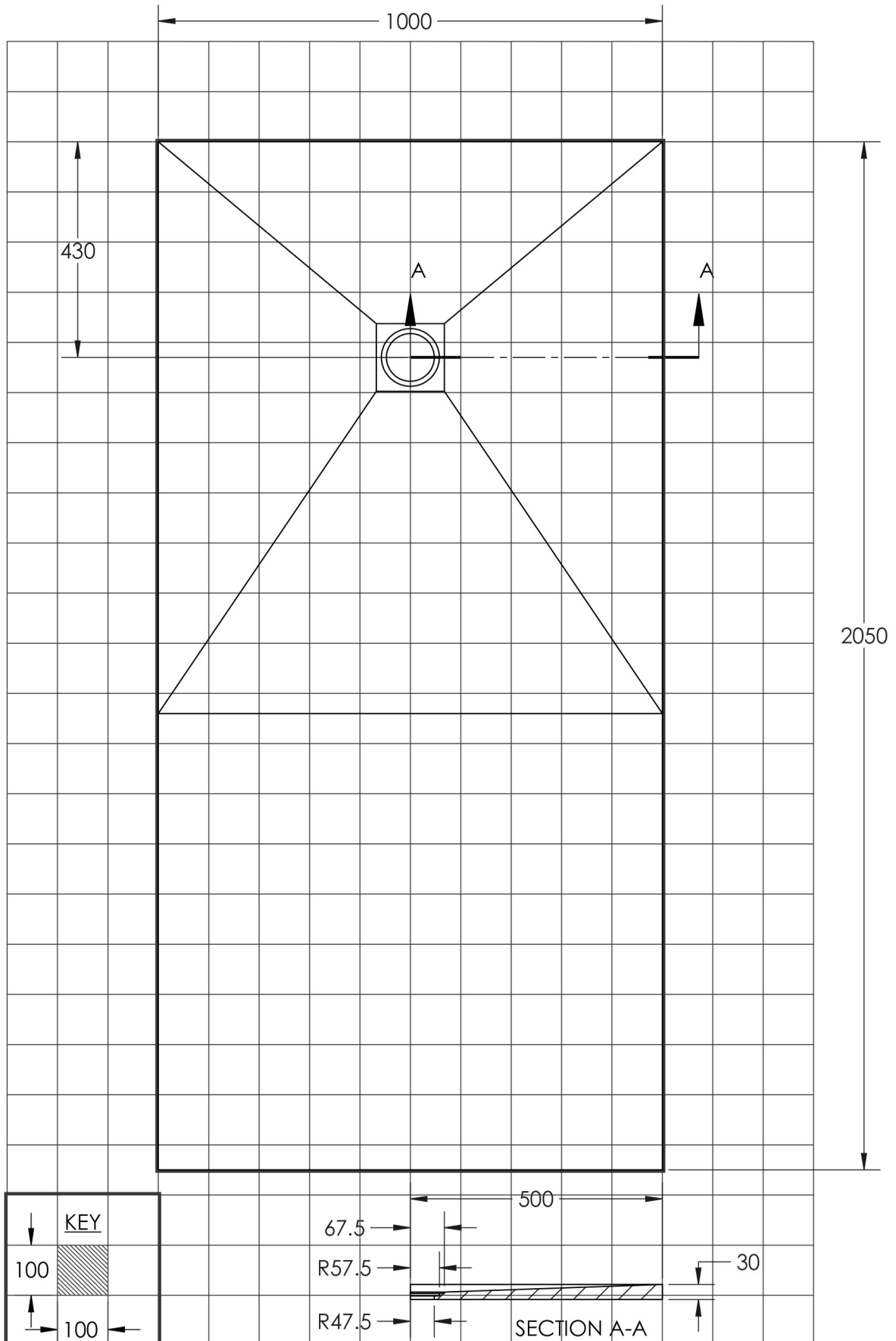


PLEASE INITIAL:

VERSION NO.

ALL DIMENSIONS IN MILLIMETERS

Option 3 — 2050 x 1000



PLEASE INITIAL:

VERSION NO.

ALL DIMENSIONS IN MILLIMETERS



SHOWER TRAYS



JTSOFTSTONE™  
AQUA CUSHION FLOOR



---

JTBESPOKE SERVICE

Agreement

---

### Plumber / Installer / Designer Agreement

I, the undersigned, confirm that the dimensions, diagram and all details given above are correct and accurate.

Name \_\_\_\_\_ Signed \_\_\_\_\_ Date \_\_\_\_\_

### Customer / Homeowner Agreement

I, the undersigned, confirm that I agree to pay 'the Retailer' the amount of £\_\_\_\_\_ for the supply of this Bespoke JTSOFTSTONE. I understand that this agreement, once submitted to JT, is not cancellable.

Name \_\_\_\_\_ Signed \_\_\_\_\_ Date \_\_\_\_\_

### Retailer Agreement

I, the undersigned, confirm that I understand that this agreement, once submitted to JT, is not cancellable and that we (the Customer and I) are liable for all costs incurred by JT.

Name \_\_\_\_\_ Signed \_\_\_\_\_ Date \_\_\_\_\_